

Tiller Head



Model No. AVC-243



Model No. AVC-234



Model No. AVC-603



Model No. AVC-306



Model No. AVC-504

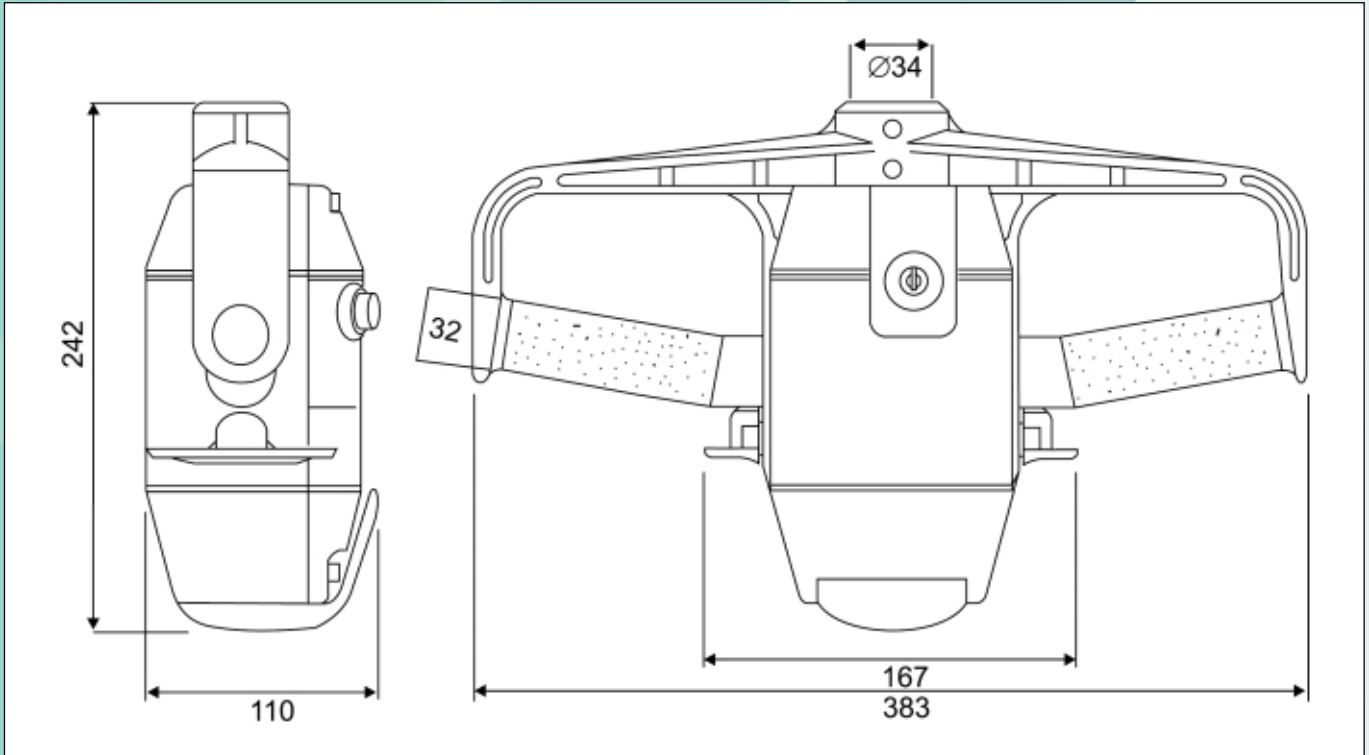


Model No. AVC-405



Tiller Head

Technical Specification



The handle unit is generally used with battery supplied vehicles with operator on the ground / Straddle platform. It has a simple, functional and high hardness mechanical structure with polyamid shock-resistant chassis. The handle unit is equipped with forward and reverse direction functions controlled by two butterfly switches, horn, push button and key switch that in off position disable all electric function.

The handle unit is equipped with the emergency reverse function (deadman) for the operator on the ground / Straddle platform causing reversal with forward speed equal to the reverse speed.

A further safety devise (SUM card) is available in two versions:

1. With reversal:
It causes reversal and blocks the vehicle when the deadman micro switch opens. Reset is possible only by bringing butterfly switches in off position. When combined with this card the handle unit is generally supplied with electro magnetic brake control.
2. With Stop:
It stops the vehicle.
On request all versions, it can be equipped with electro magnetic brake function.
3. Also supplied with a two meter sheath insulated wiring harness.

Features

Material	Fiberglass reinforced polyamid 6
Operation Temperature	From. -40°C to 120°C
Inflammability UL	HB
Impact strength	Kj/m ² 60 at +23°C Kj/m ² 52 at -40°C
Available in six different colours	

AVC Electronics

Sy. No.7/1, Patel Narasimha Reddy Layout,
1st Phase, 1st Cross, Bommasandra Indl Area,
Opp. Konaria Plastics, Bangalore - 560 099

Tel: +91 080 2783 9028
Fax: +91 080 2783 9025
Mobile: +91 98866 39243/99866 99397